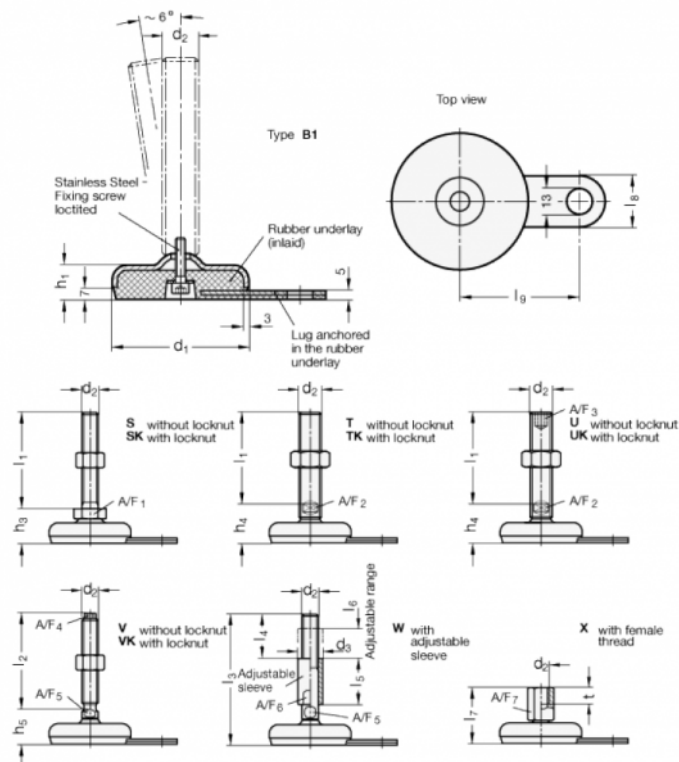


Article number: 2033100M1655B1X  
 Description: E+G levelling foot  
 GN 33-100-M16-55-B1-X, Stainless steel  
 Note: X With female thread, External hexagon

## Measures



- A/F7 = 22
- d1 = 100
- d2 = M16
- h1 = 21
- l7 = 55
- l8 = 30
- l9 = 80
- t = 16